

4

3

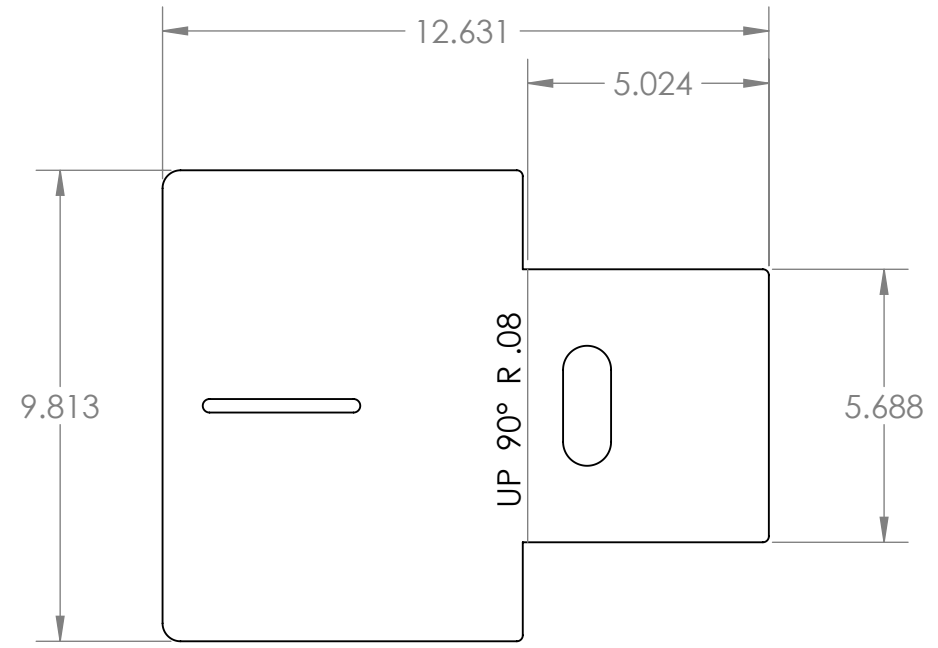
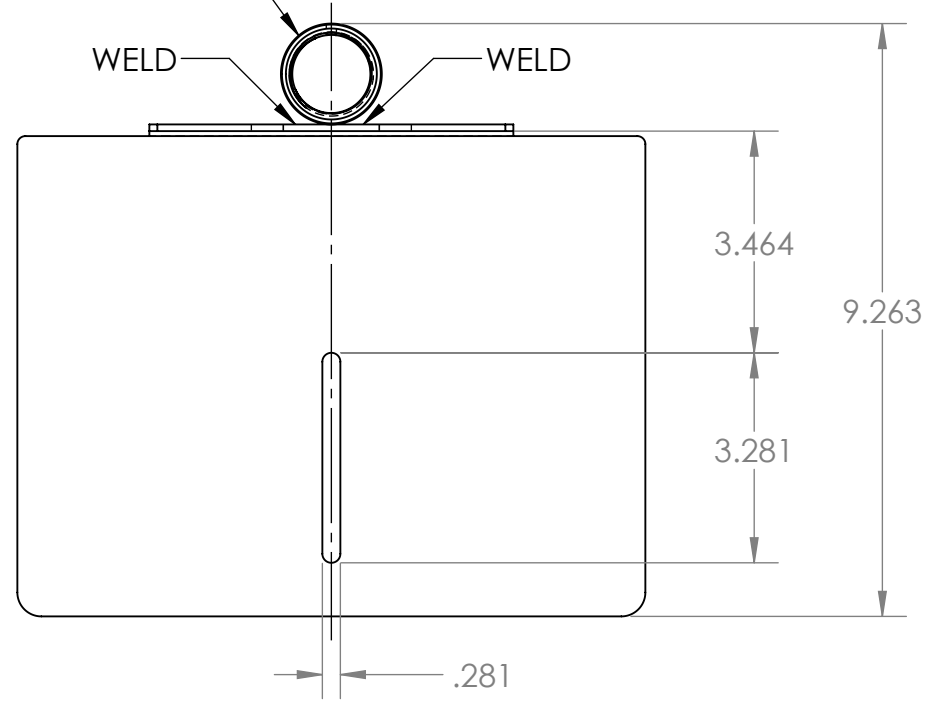
2

1

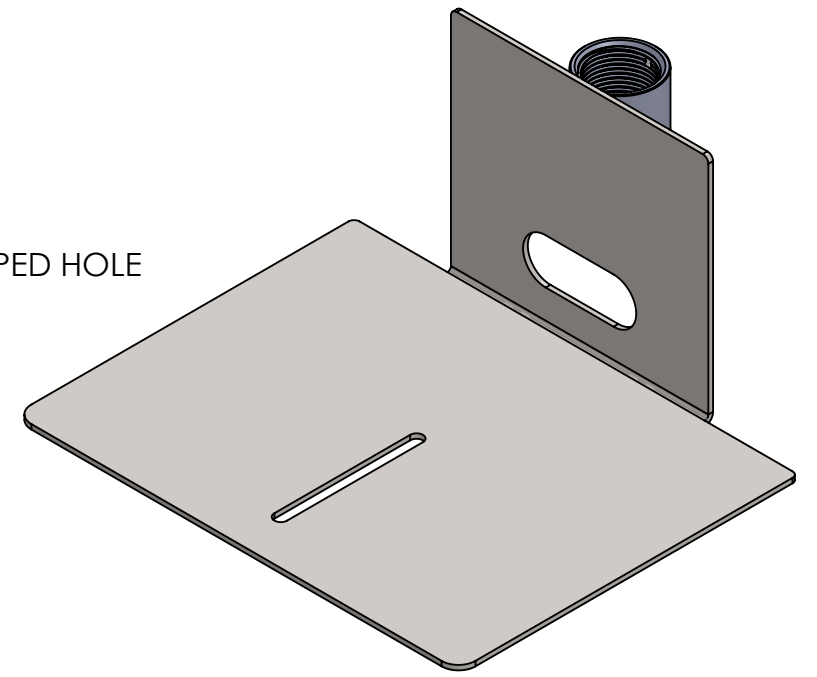
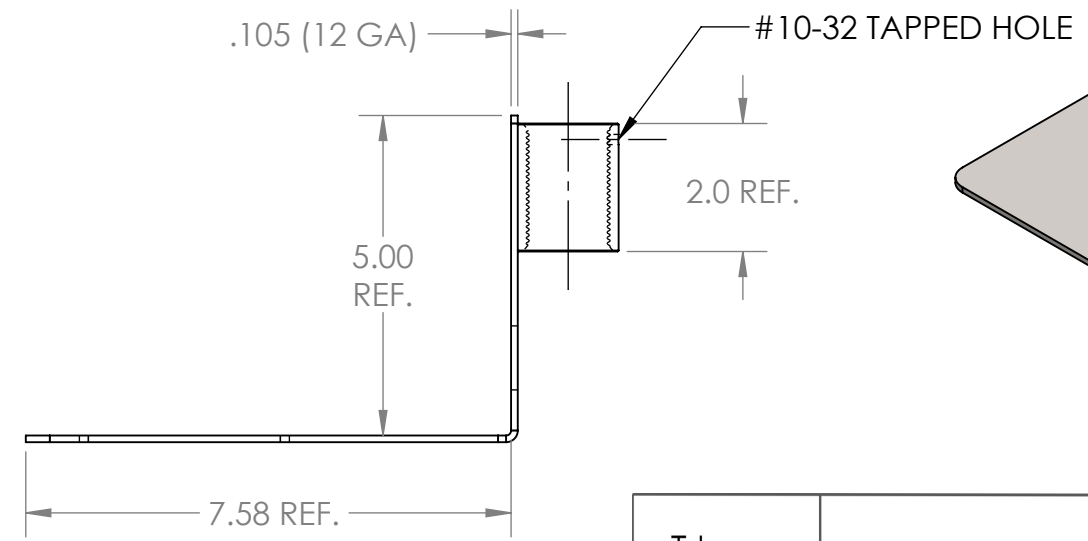
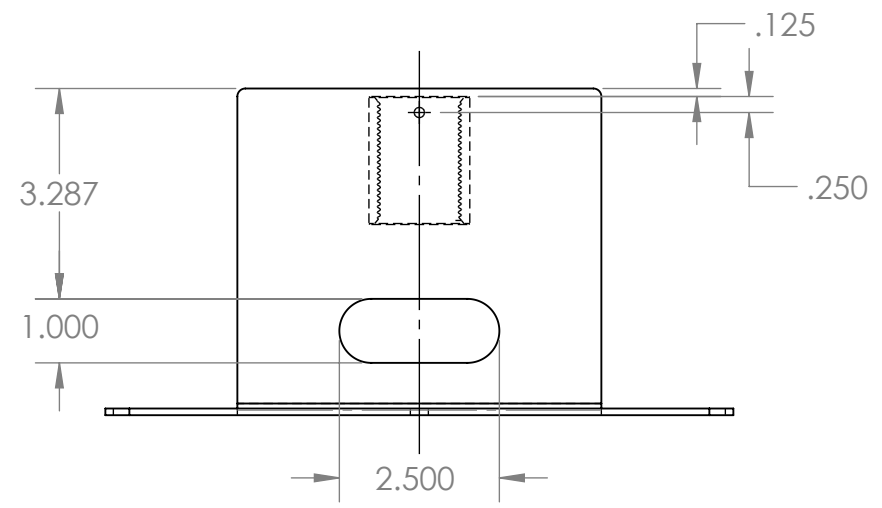
1" MERCHANT COUPLING

WELD

WELD



FLAT PATTERN



|                 |           |                    |                  |       |            |  |
|-----------------|-----------|--------------------|------------------|-------|------------|--|
| Tolerance       |           | <b>HuddleCamHD</b> |                  |       |            |  |
| Fractional      | ± 1/32    |                    |                  |       |            |  |
| Angle           | ± 0.5°    | Project            | Pipe Mount       | Model | HCM-2C-xx  |  |
| 2 Place Decimal | ± 0.015"  | Description        | Large Pipe Mount | Date  | 2023.08.31 |  |
| 3 Place Decimal | ± 0.005"  |                    |                  | Scale | 1:4        |  |
| Fillets         | .005" Max |                    |                  | Units | inch       |  |

4

3

2

1

B

B

A

A