

4

3

2

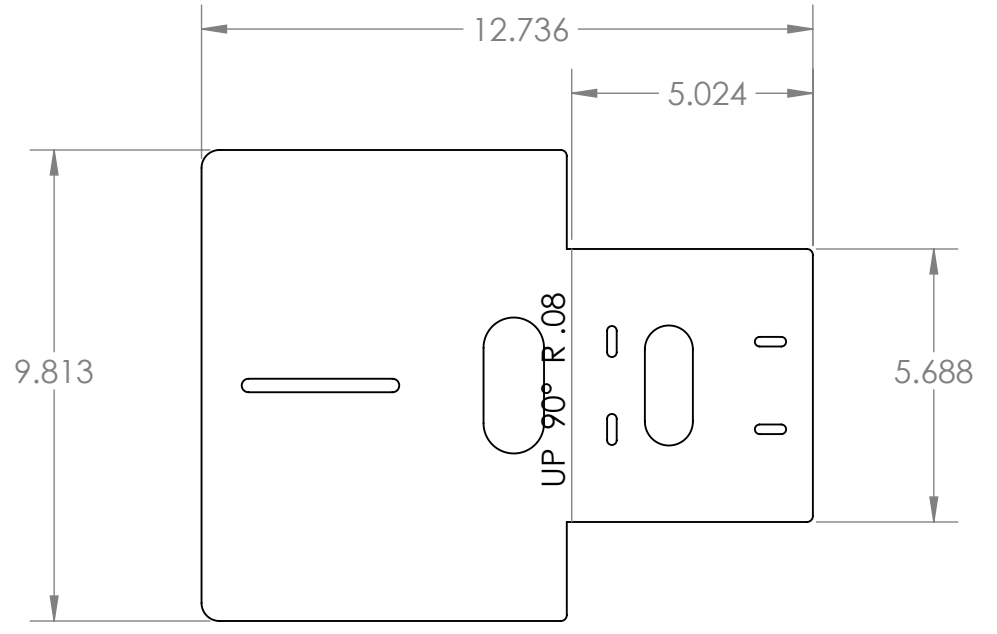
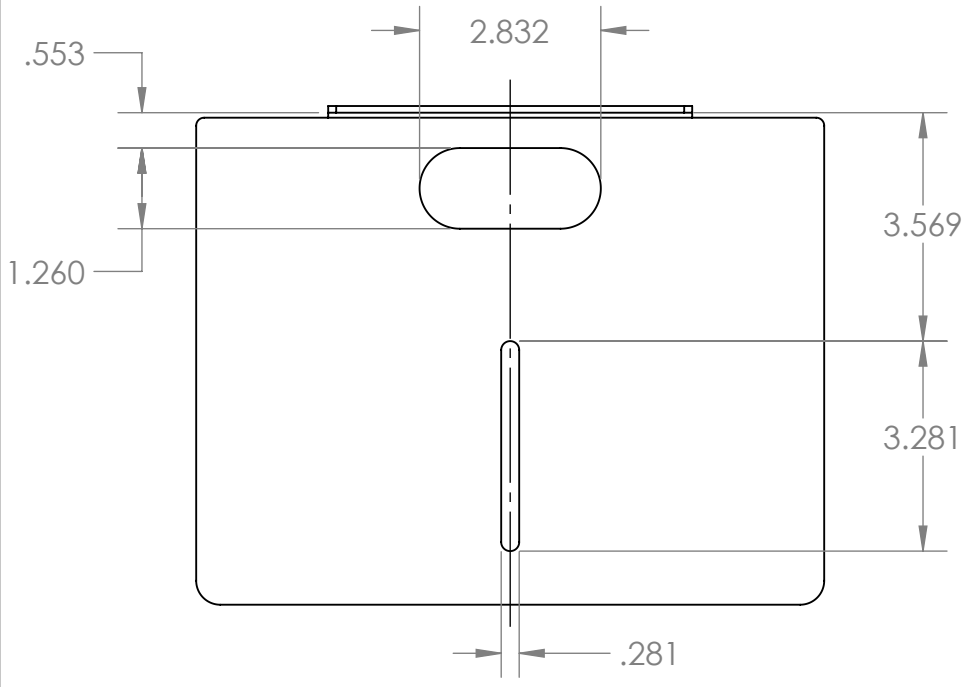
1

B

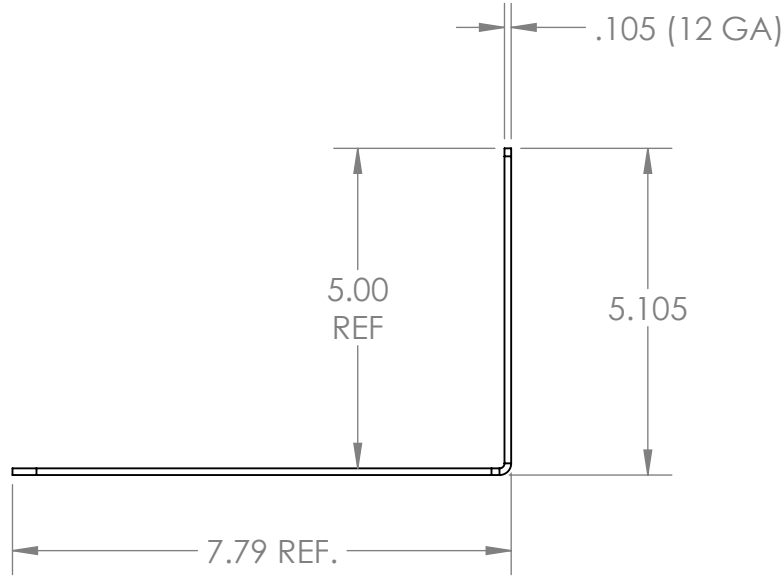
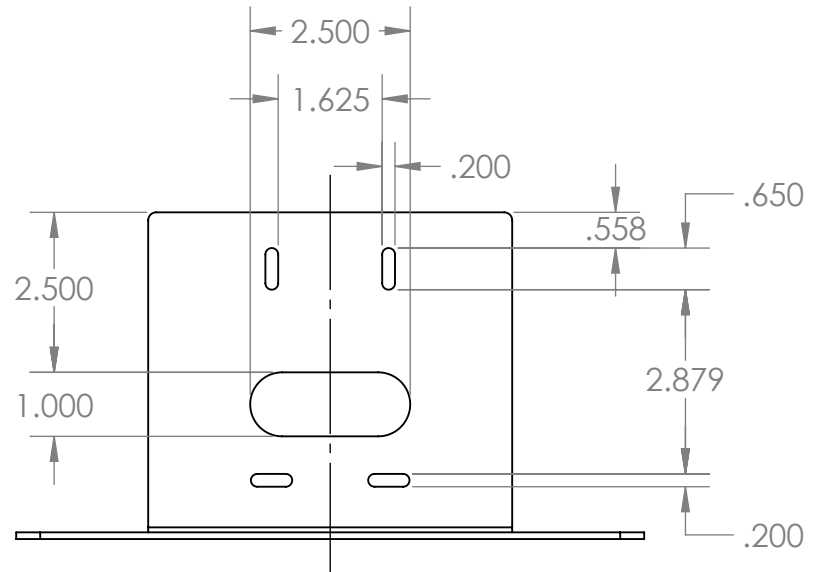
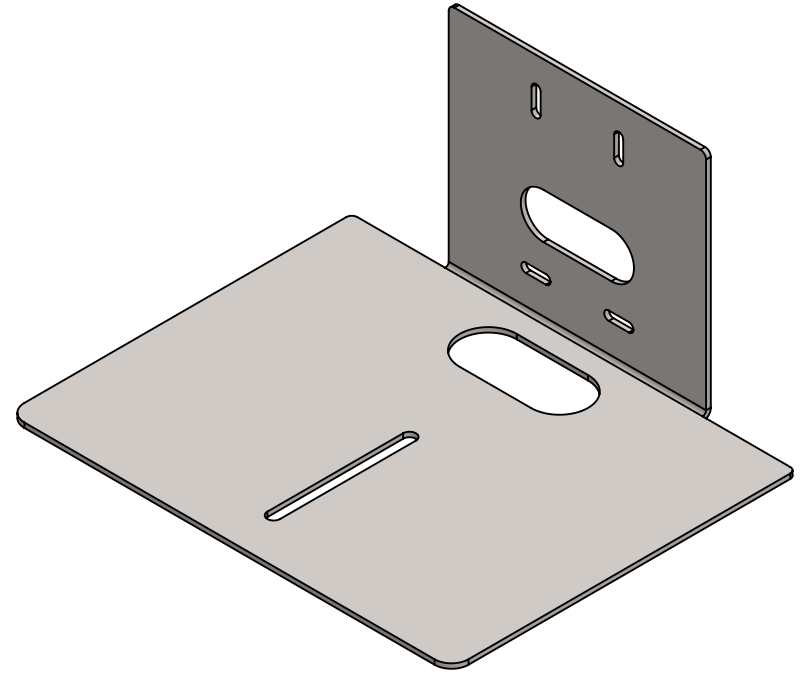
B

A

A



FLAT PATTERN



- NO BURRS ALLOWED
- MUST BE SCRATCH-FREE
- DRAWING MAY NOT BE FULLY

HCM-2-WH: POWDER COAT: TIGER 049/13150 (WHITE FINE TEXTURE)  
 HCM-2-BK: POWDER COAT: TIGER 039/80200 (BLACK FINE TEXTURE)

Tolerance		HuddleCamHD					
Fractional	± 1/32						
Angle	± 0.5°	Project	Wall Mount	Model	HCM-2-xx		
2 Place Decimal	± 0.015"	Description	Large Wall Mount	Date	2023.08.31		
3 Place Decimal	± 0.005"			Scale	1:4		
Fillets	.005" Max			Units	inch		

4

3

2

1