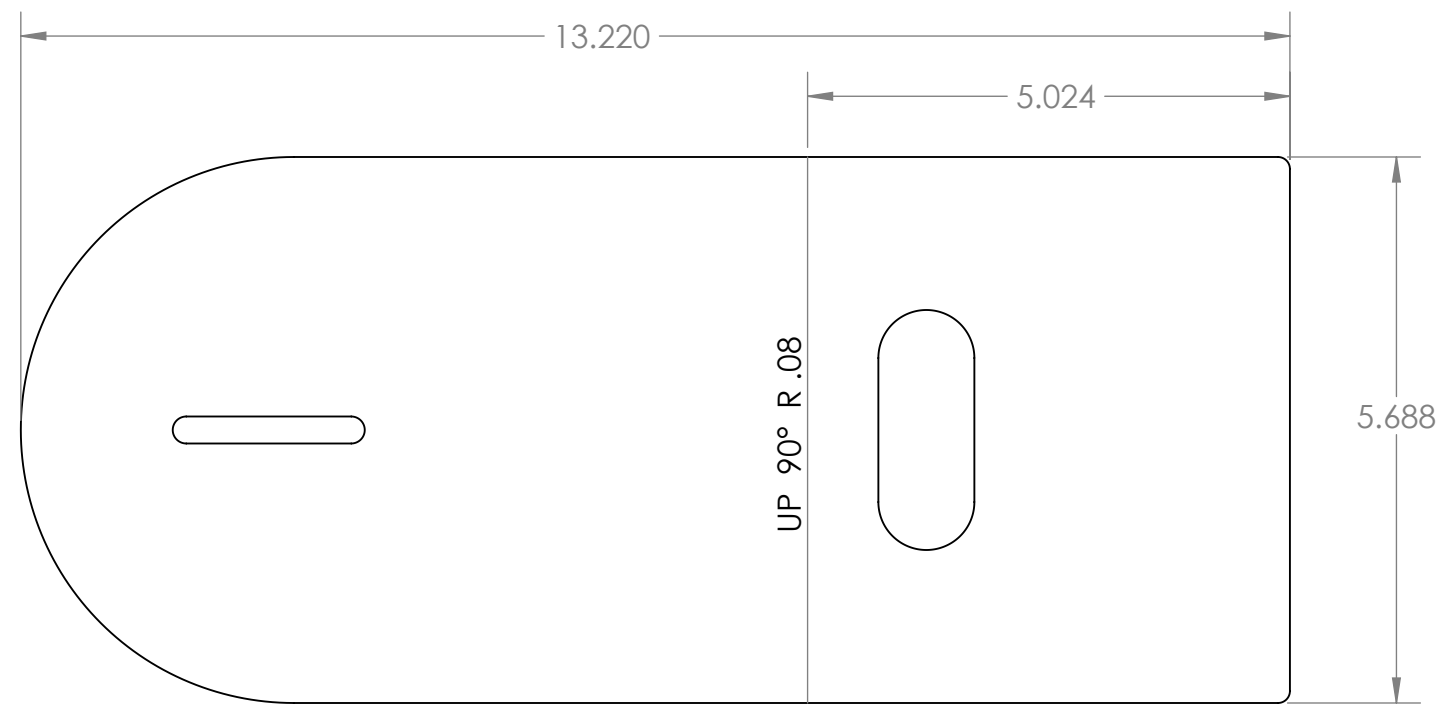
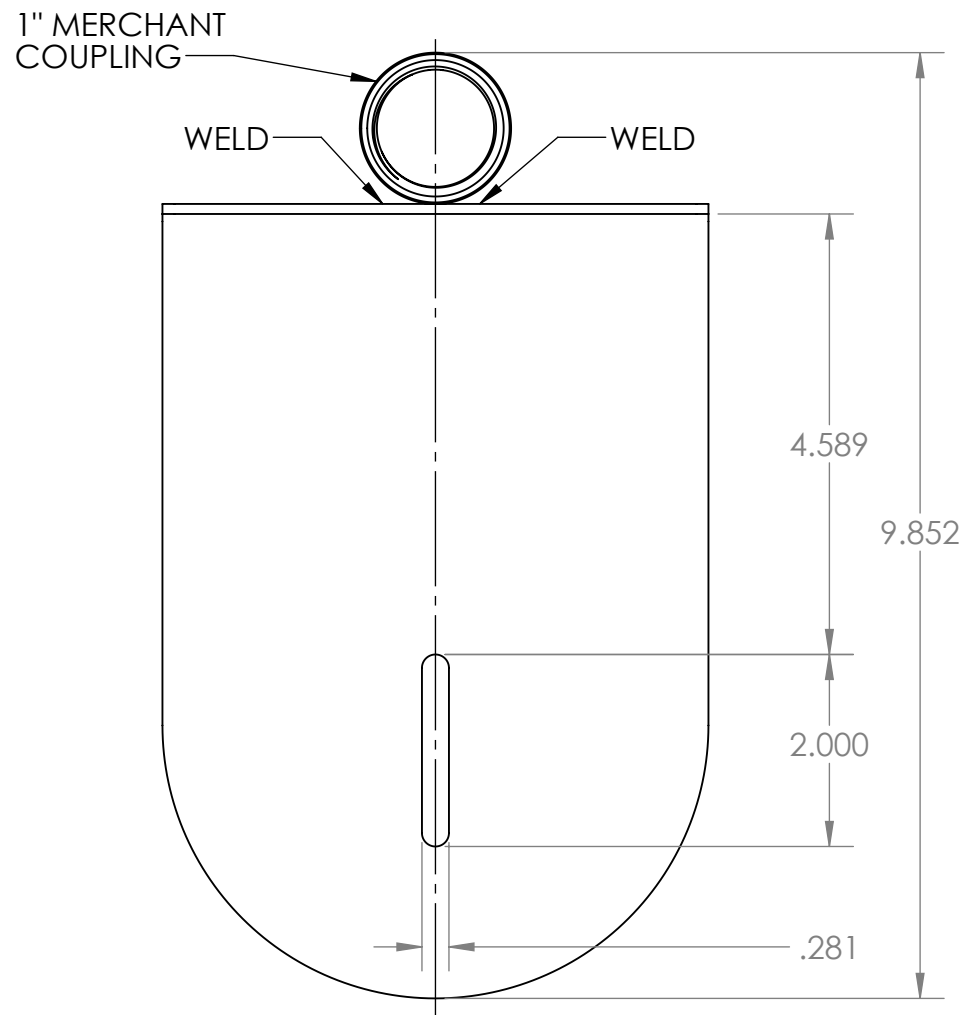


4 3 2 1



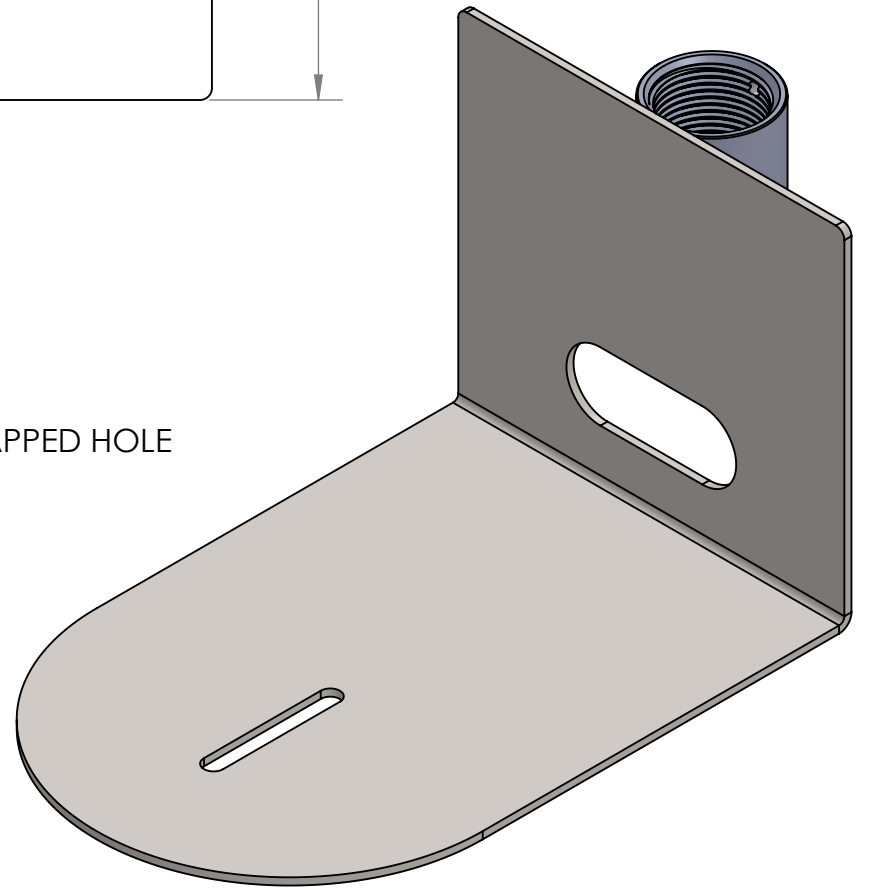
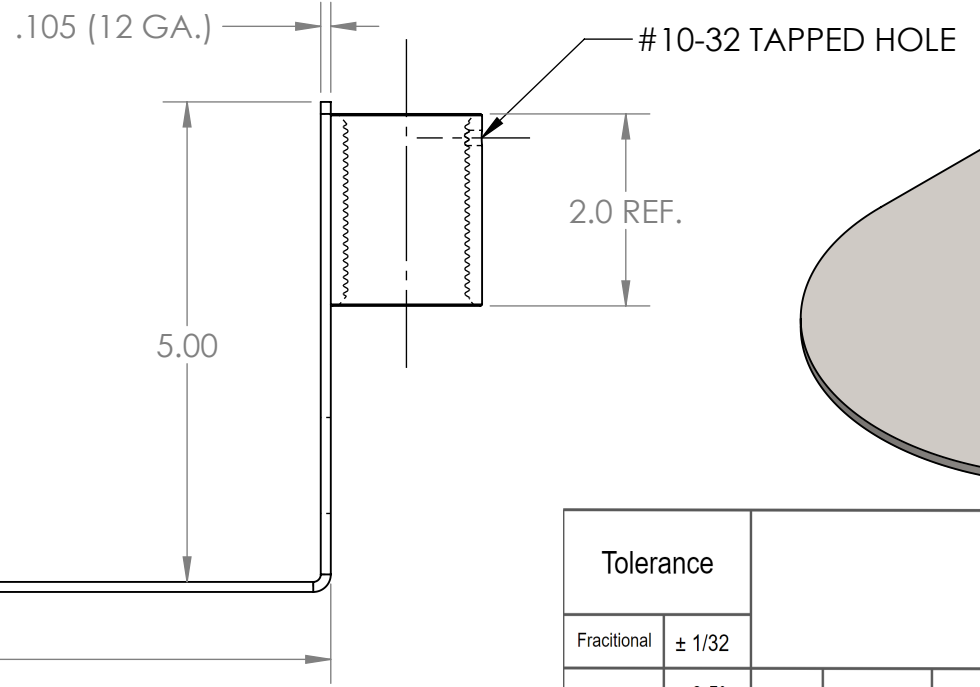
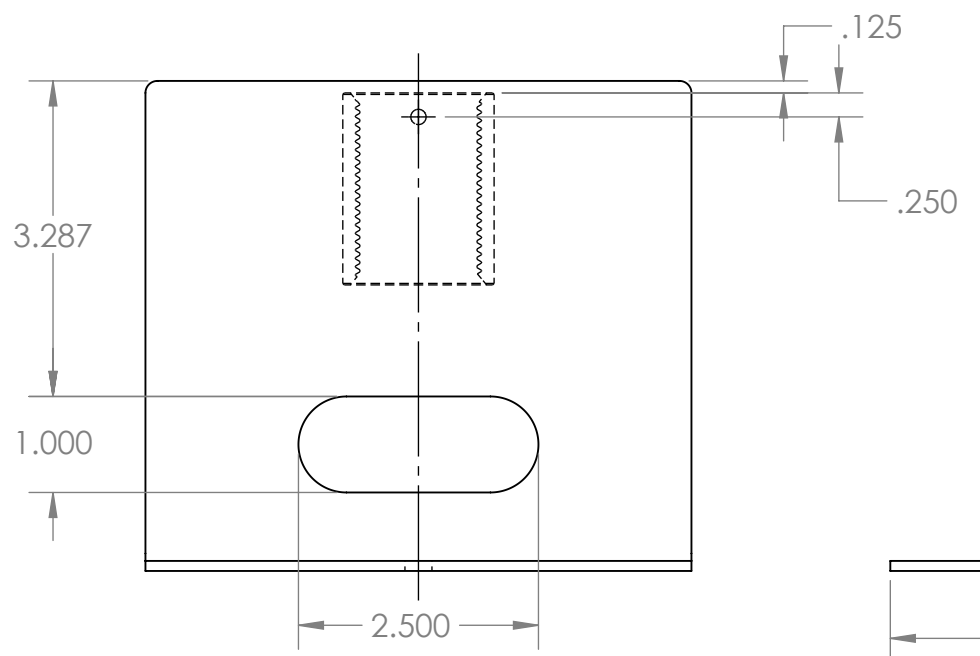
FLAT PATTERN

B

B

A

A



- NO BURRS ALLOWED  
 - MUST BE SCRATCH-FREE  
 - DRAWING MAY NOT BE FULLY DIMENSIONED. SEE MODEL.

HCM-1C-WH: POWDER COAT: TIGER 049/13150 (WHITE FINE TEXTURE)  
 HCM-1C-BK: POWDER COAT: TIGER 039/80200 (BLACK FINE TEXTURE)

| Tolerance       |           | HuddleCamHD |                  |       |            |  |  |
|-----------------|-----------|-------------|------------------|-------|------------|--|--|
| Fractional      | ± 1/32    | Project     | Pipe Mount       | Model | HCM-1C-xx  |  |  |
| Angle           | ± 0.5°    | Description | Small Pipe Mount | Date  | 2023.08.31 |  |  |
| 2 Place Decimal | ± 0.015"  |             |                  | Scale | 1:4        |  |  |
| 3 Place Decimal | ± 0.005"  |             |                  | Units | inch       |  |  |
| Fillets         | .005" Max |             |                  |       |            |  |  |

4 3 2 1