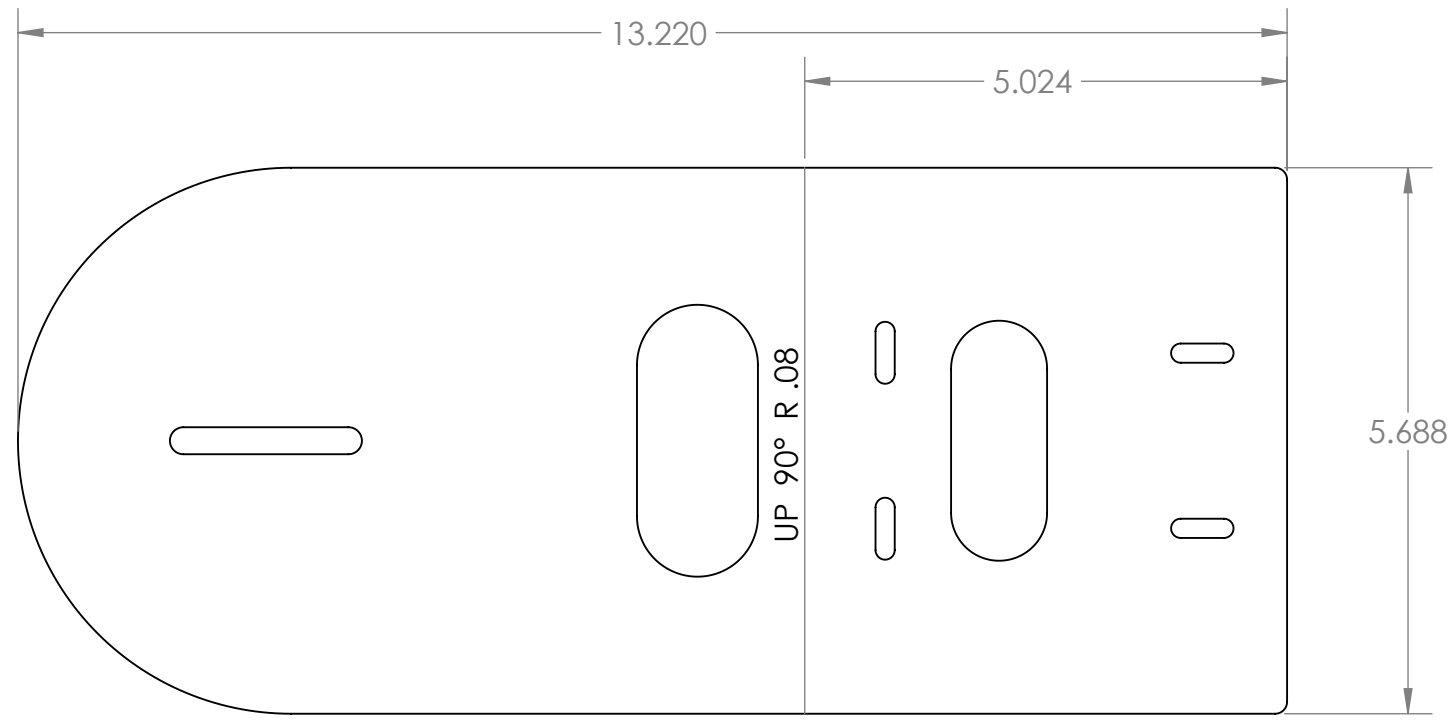
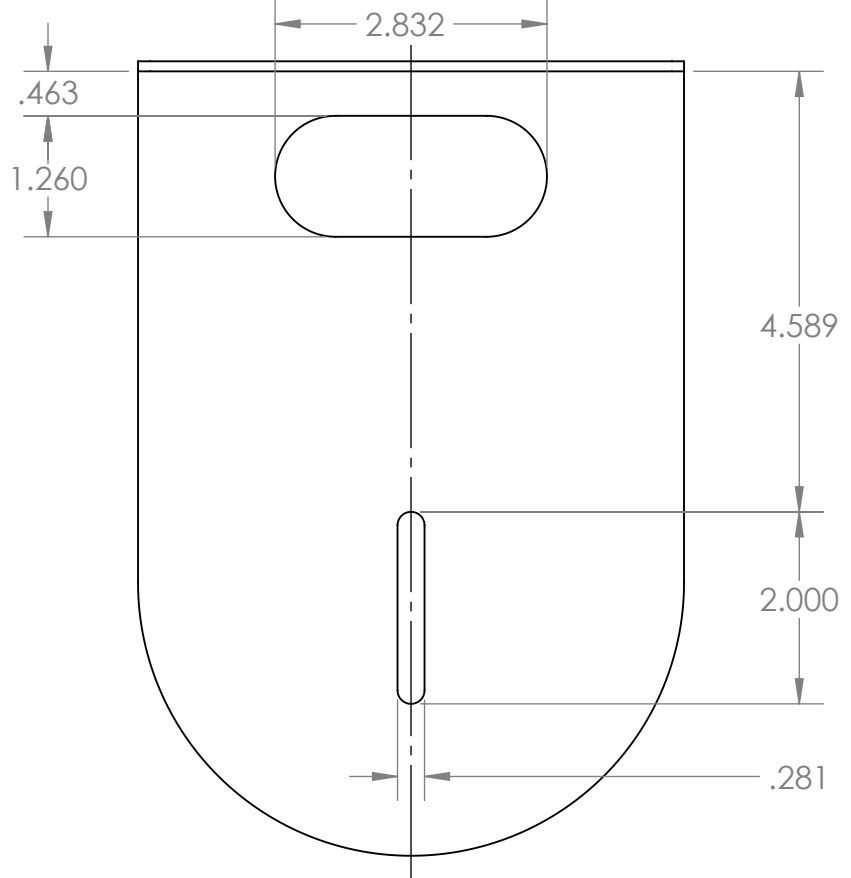


4

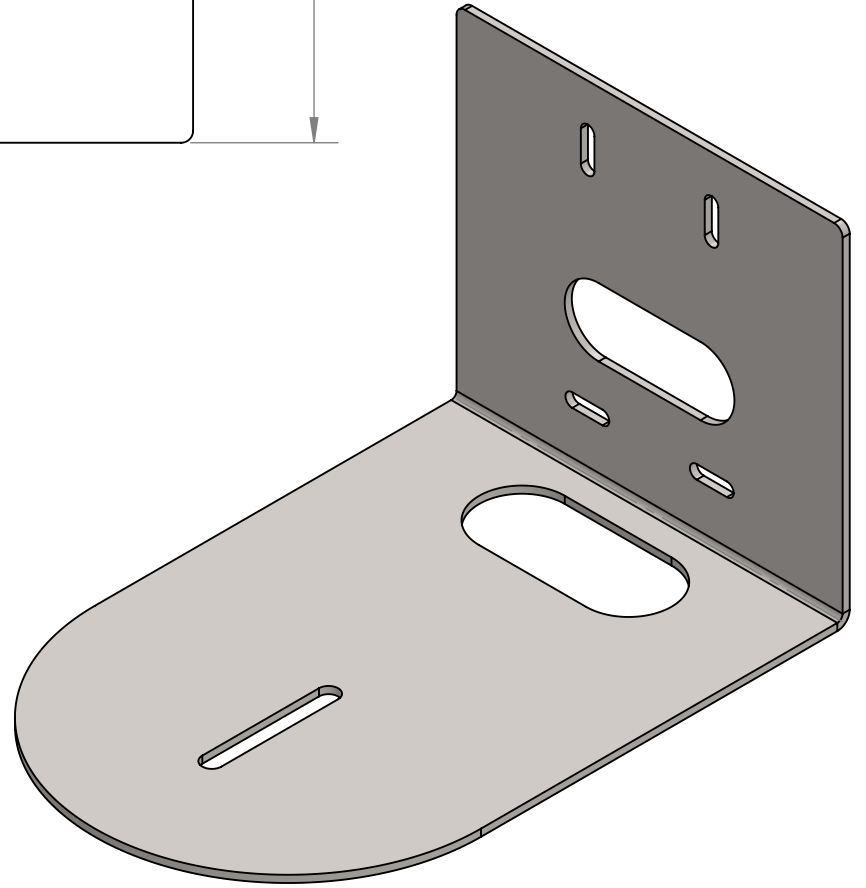
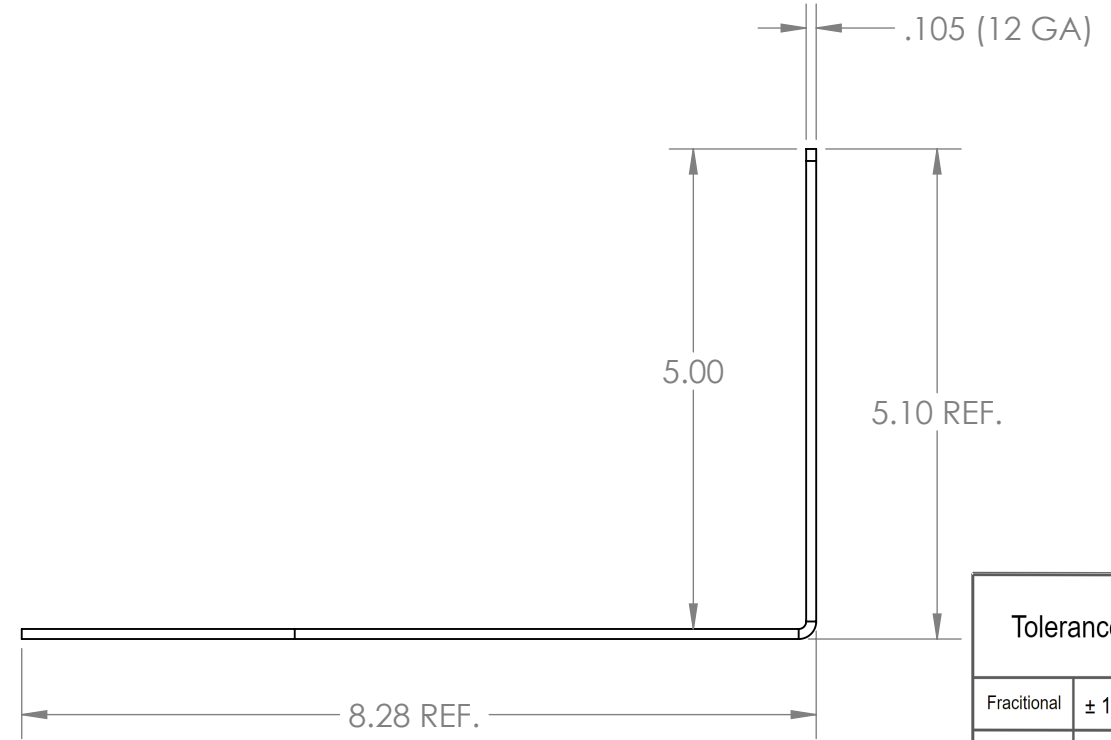
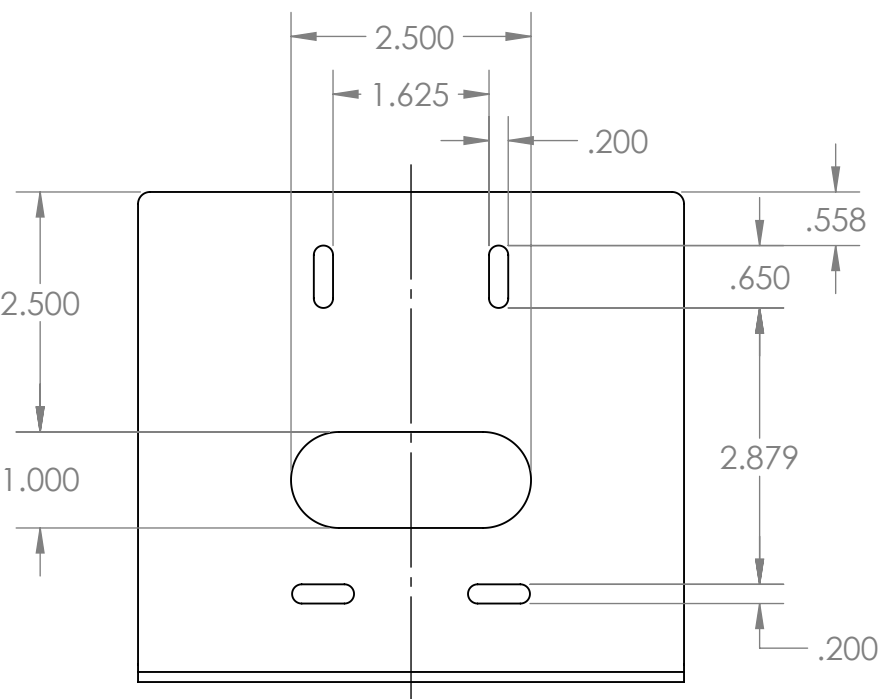
3

2

1



FLAT PATTERN



- NO BURRS ALLOWED
 - MUST BE SCRATCH-FREE
 - DRAWING MAY NOT BE FULLY DIMENSIONED. SEE MODEL.

HCM-1-WH: POWDER COAT: TIGER 049/13150 (WHITE FINE TEXTURE)
 HCM-1-BK: POWDER COAT: TIGER 039/80200 (BLACK FINE TEXTURE)

| Tolerance | | HuddleCamHD | | | | | |
|-----------------|-----------|-------------|------------------|-------|------------|--|--|
| Fractional | ± 1/32 | Project | Wall Mount | Model | HCM-1-xx | | |
| 2 Place Decimal | ± 0.015" | Description | Small Wall Mount | Date | 2023.08.31 | | |
| 3 Place Decimal | ± 0.005" | | | Scale | 1:4 | | |
| Fillets | .005" Max | | | Units | inch | | |

4

3

2

1

B

B

A

A