

## HuddleCamHD

### Compatibility

- Windows 7 & 8
- Mac OS X
- Adobe Connect
- BlueJeans
- Cisco Jabber
- Cisco WebEx
- Easy Meeting
- Facetime
- Fuzebox
- Google Hangout
- GoToMeeting
- Lifesize
- Microsoft Lync
- Polycom RealPresence
- Radavision
- Spontania
- Skype
- TurboMeeting.US
- Vidyo
- Vsee
- Zoom.US

### Features

- 12X Optical Zoom
- USB 3.0 & DVI-I
- RS-232
- 1920 x 1080
- 70° Field of View
- Up to 60fps
- 64 Presets
- IR Remote
- Certified SONY Lens

The HuddleCamHD 12X is ideal for medium to large sized meeting rooms and offers USB 3.0 and DVI outputs. Comes standard with certified SONY lens.



## Specifications

### Camera & Lens

Video CMOS Sensor	1/2.8" CMOS 2.0 Mega Pixel Sensor
Video Signal	1080p 60/50/30/25 1080i 60/50 720p 60/50/30/25
Lens Zoom	12X Optical Zoom f=3.9 - 46.8mm
Field of View	70°
Min Illumination	1.0 at F1.2
White Balance	Auto/Manual

### Pan/Tilt Movement

Pan Movement	±170°
Tilt Rotation	- 30°, -90°
Presets	64 Presets, 4 Patrol lines

### Electrical Index

Power Supply Adapter	12V DC 2A
Input Voltage	12V DC (10.5-14V DC)
Input Power	24W (Max)

### What's in the Box

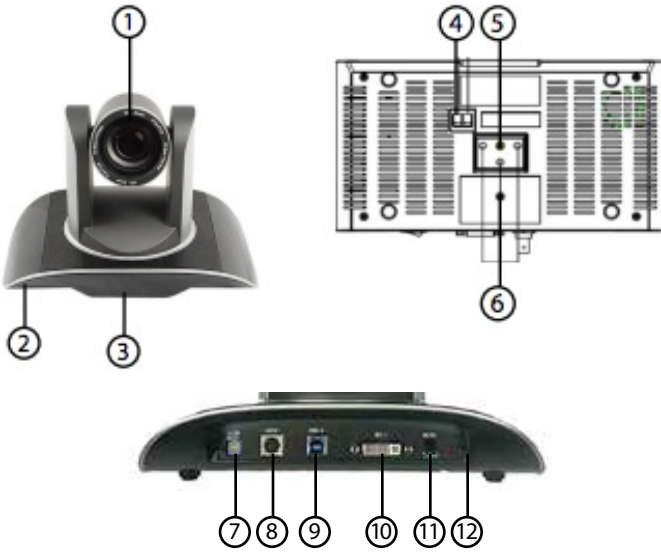
- 12X Zoom USB 3.0 Camera
- 12V DC 2.5A Power Adapter
- DVI-HDMI Adaptor
- USB 3.0 A-B Cable (6ft), RS-232 Cable
- IR Remote Control
- User Manual

### Rear Board Connectors

High Definition Interface	USB 3.0 & DVI-I
Controller Signal Interface	Mini DIN-8 (VISCA IN, VISCA OUT/RS485)
Controller Signal Config.	IDip-Switch Pin 7/TTL Signal
Baud Rate	9600 bds
Power Supply Interface	DC 12V 2A

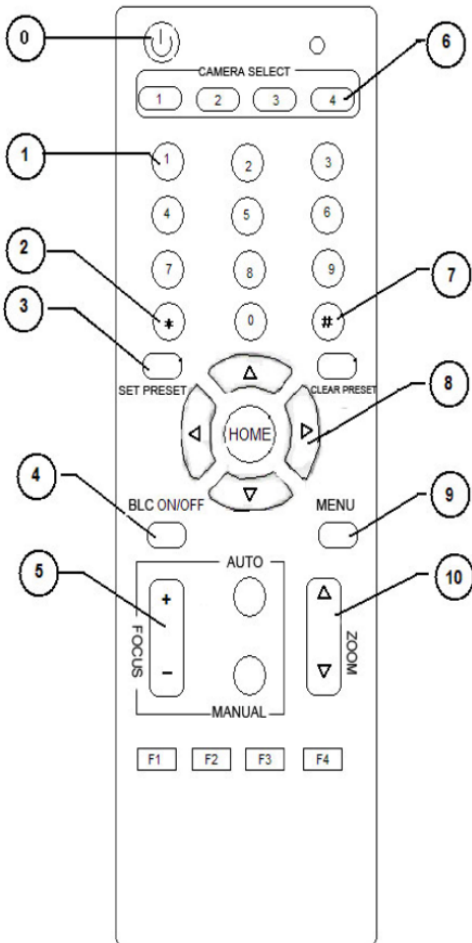
### Physical

Material	Aluminum, Plastic
Dimensions	10.44" x 6.75" x 5.81"
(W x H x D)	(265.17mm x 171.45mm x 147.57mm)
Weight	3.32 lbs (1.15 kg)
Temperature	32° F to + 113° F
Power Supply	-14° F to 140° F
Color	Silver Gray



1. **Lens**  
12x Optical Zoom.
2. **Camera Base**
3. **IR Receiver**  
To receive IR remote controller signal.
4. **Dip Switches**  
For putting camera in setup modes.
5. **Tripod Screw Hole**  
Will accept 1/4-20 bolt from 3rd party tripod, wall or ceiling mount.
6. **Additional Mounting Holes**  
Will accept 1/4-20 bolt from 3rd party tripod, wall or ceiling mount.
7. **System Select**  
For selecting output resolution.
8. **VISCA IN Port**  
For hard wired remote control from a 3rd party PC, joystick, etc...
9. **USB 3.0 Male Interface**  
For connection to PC USB 3.0 port (NOT compatible with USB 2.0 port or driver).
10. **DVI-H Video Output**  
Provides simultaneous digital or analog video output to monitor.
11. **12VDC Input Power Supply Jack**  
Only use the Power Adapter supplied with this camera.
12. **Power Indicator Light**  
Red LED illuminates when unit is powered.

## Remote Control



0. **Standby key**  
After pressing the standby key, the camera will go into standby mode. Press again, the camera will turn on. (Note: Standby mode power consumption is about half of normal mode consumption)
1. **Number keys**  
For setting or recalling presets.
2. **\* key**  
For key combination use.
3. **Set preset key:**  
Set preset key + 0-9 number key.  
Clear preset key.  
Clear preset key + 0-9 number key or .#+##+. clear all the presets.
4. **BLC control key**  
BLC ON: Turn on Back Light Compensation (only works when exposure mode setting is Auto)  
BLC OFF: Turn off Back Light Compensation (Only available in the exposure mode effective for Auto).
5. **Focus control**  
Focus+: focus farther away  
Focus-: focus nearer  
Auto focus: automatically focus on item in center of frame  
Manual focus: To use Focus + and -
6. **Camera address selection:**  
Select the camera which you want to be controlled.
7. **# key**  
For key combination use.
8. **Pan/Tilt Controller**  
  - ↑ Move Up
  - ↓ Move Down
  - ← Move Left
  - Move Right
 (HOME) key: Return to the middle position.
9. **Menu setting**  
Open or close the OSD menu
10. **Zoom Control**  
  - ↓ Zoom Out
  - ↑ Zoom In
11. **Camera IR remote control address selection**  
 (\*)+(#+)(F1): Camera Address No.1  
 (\*)+(#+)(F2): Camera Address No. 2  
 (\*)+(#+)(F3): Camera Address No. 3  
 (\*)+(#+)(F4): Camera Address No. 4

Still have questions?  
Give us a call.

